

### ENGINE

- Mitsubishi® L3E – liquid cooled, diesel engine
  - Standby - 12.2 hp @ 1800 rpm
  - Prime - 10.5 hp @ 1800 rpm
  - 1.0 L displacement, 3 cylinder
  - ECOSpeed™ EPA Final Tier 4 compliant multi-speed operation
- Polyethylene Fuel Tank:
  - Fuel Type: Diesel
  - Fuel Capacity: 39.9 gal (151.04 L)
  - External 3.5 in. (89 mm) fill port
- Fuel Consumption:
  - Lights Only: 0.195 gph (0.738 Lph)\*
  - Full Load: 0.549 gph (2.078 Lph)\*
  - Maximum Runtime (Lights Only): 203\* hours
- Cooling system allows operation to 120°F (49°C) ambient
- 1000-hour\*\* service interval
- Full flow oil filter, spin on type
- Dry type cartridge air filter
- Wind Rating: 65 mph (105 kph)



*\*Results based on engine manufacturer and field test data after 100-hour engine break-in period and may vary based on factors including age and maintenance of equipment, environmental conditions and fuel density. Consult the Owner's Manual for fuel and maintenance recommendations.*

*\*\*To achieve maximum service interval, replacement of oil filter after 50-hour break-in period is required. Consult Owner's Manual for required oil filter model number.*

### GENERATOR

- Marathon Electric® ,Brushless
- Output:
  - Up to 6kW standby
  - Up to 5kW (lights on)
- 120/240 VAC – 50/25A
- +/-1% automatic voltage regulation

### ELECTRICAL CONTROLS

- Power Zone Autolight Controller
- Automated dusk to dawn or 7-day scheduler operation
- One touch manual starting
- Individual light fixture control
- Back-lit LCD display -40°F/C rated heated display.
- Three (3) programmable service timers for Fuel Filter, Air Filter and Oil Service
- Alarms and comprehensive warnings
- Electrical trip or shutdown protection upon fault condition
- Key pad controlled electric mast optioned deployment

### FLOODLIGHTS

- Four (4) 296W LED fixtures
- Efficiency: 145 lumens per watt
- Lumens per fixture: 43,050
- Total lumens: 172,200
- Coverage: 19,526 ft<sup>2</sup> (1,814 m<sup>2</sup>) at 0.5 ft-c
- IP68 LED modules; IP65 rated drivers
- Aluminum / Poly construction housing
- Fixture-mounted LED drivers
- 30VDC mast cord and fixture

### ELECTRICAL SYSTEM

- 30A outlet breaker
- Individual floodlight circuits with sealed 5A breakers
  - (1) 120 VAC 20 Amp GFCI duplex outlet (NEMA 5-20R type)
  - (1) 240 VAC 30 Amp twist lock outlet (NEMA L6-30R type)
- Wiring is sized and fused to the amperage draw required
- 440CCA wet cell battery

### MAST

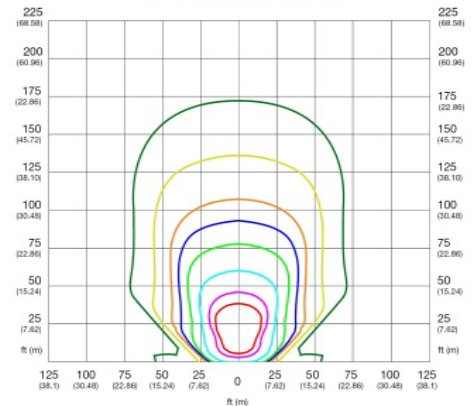
- Vertical mast; 23 ft. (7 m), 5-section with ground adjustable light fixtures
- Dual handle manual winch for ease of deployment; electric winch optional
- Distinctive angled fixture mount for common light distribution
- 359° ground rotational mast with mast fully extended
- Industrial black powder coat finish with polymer guides
- Self-retracting coiled mast cord

### ENCLOSURE

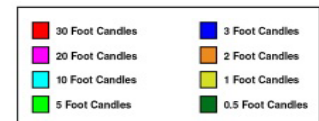
- Injection-molded hood enclosure with UV protected colorant
- Flip hood engine compartment for ease of service
- Multi-lingual operating/safety decals
- License plate holder with light
- Manual holder with operating manual
- 63 dB(A) @ 23 ft. (7 m) – low speed operation
- Equipped with single lifting eye and fork pockets

### TRAILER

- Tubular steel frame
- Three (3) 1200 lb. (544 kg) tube and sleeve leveling jacks
- All jacks transport and lock in position for storage
- Side outriggers deployed – 10 ft. (305 cm) span
- 7800 lb. (3538 kg) safety chains with spring loaded safety hooks
- 2 in. (50.8 mm) ball hitch
- Molded polyethylene fenders
- DOT approved LED tail, side, brake, and directional lights
- 2200 lb. (998 kg) leaf spring axle
- ST175/80D13 – 6 ply
- 47 in. (117 cm) track width



Area covered: 19,526 ft<sup>2</sup> (1,814 m<sup>2</sup>)  
at minimum of 0.5 foot candles (ft-c)



### WEIGHT & DIMENSIONS

- Dry weight: 1340 lbs. (608 kg)
- Operating weight: 1630 lbs. (739 kg)

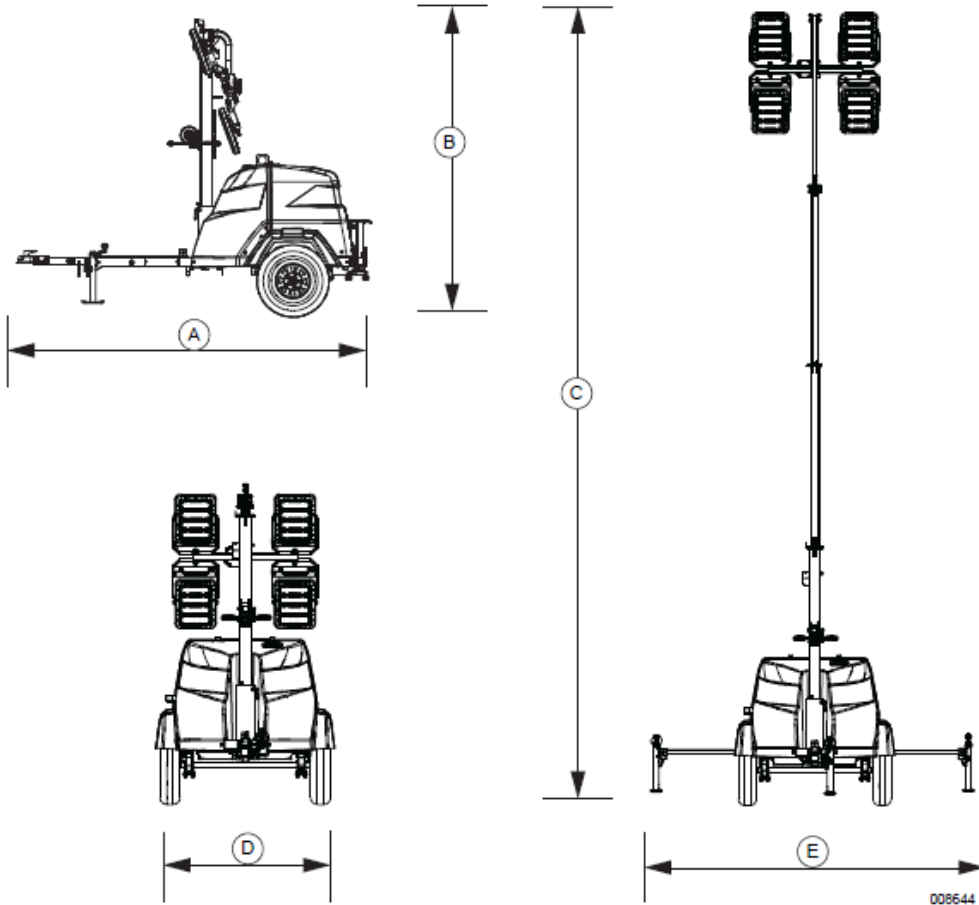


Figure 2-9. Unit Dimensions

A	B	C	D	E
118 in (3 m)	101 in (2.6 m)	23 ft (7 m)	57 in (1.5 m)	120.5 in (3.1 m)

Specifications are subject to change without notice.

### WARRANTY

1 Year, Unlimited Hours / 2 Years, 2000 Hours on tower; 5 Year limited warranty on LED modules and drivers

### CERTIFICATIONS

CSA Approved / Listed

### OPTIONS

Contact sales representative or factory for a list of current available options.

For more information, consult the Owner's Manual at <http://www.generacmobileproducts.com/resources-tools/manuals>